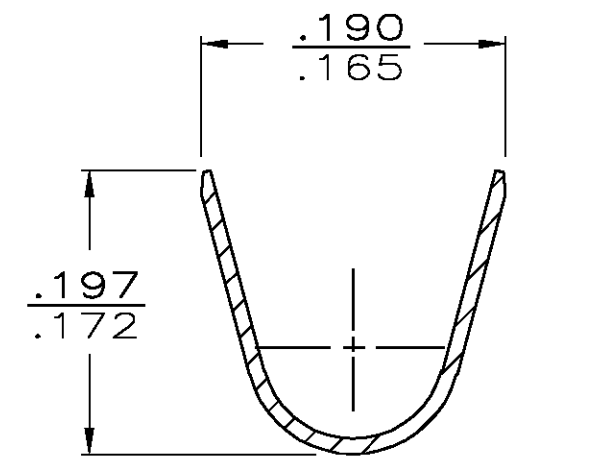
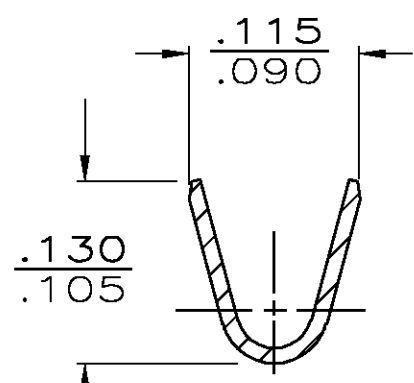
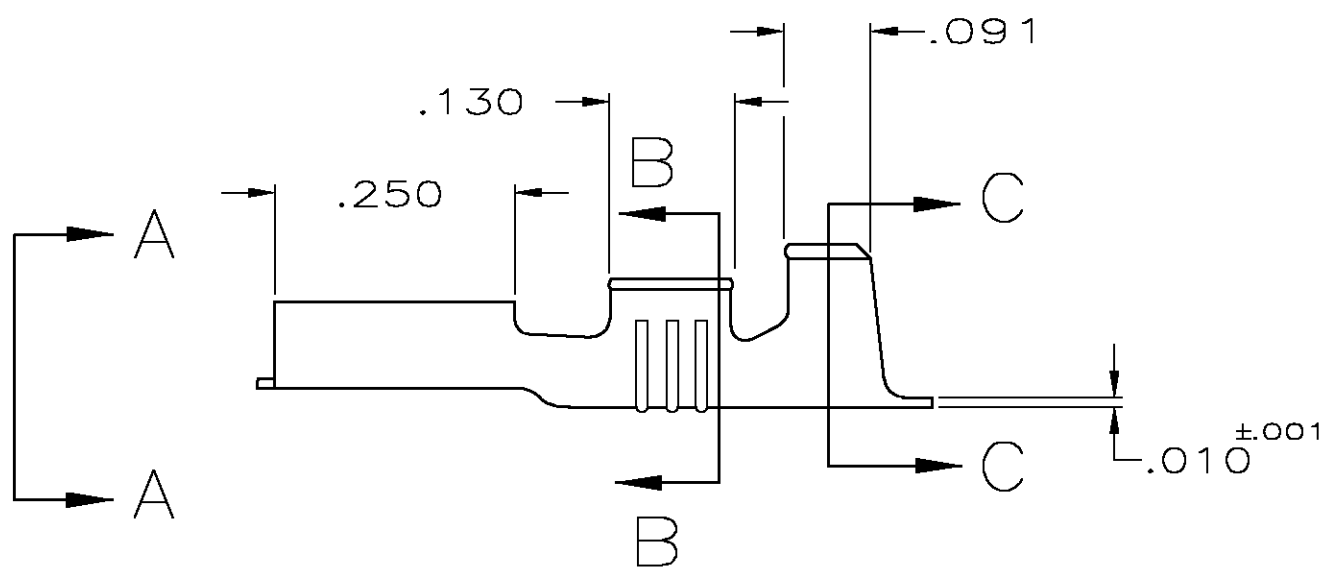
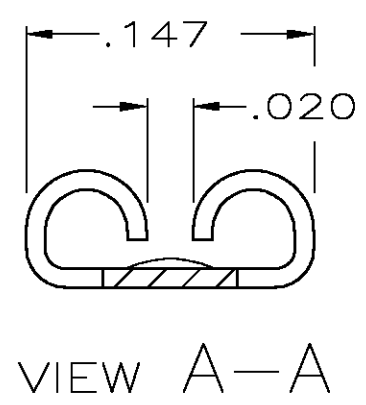
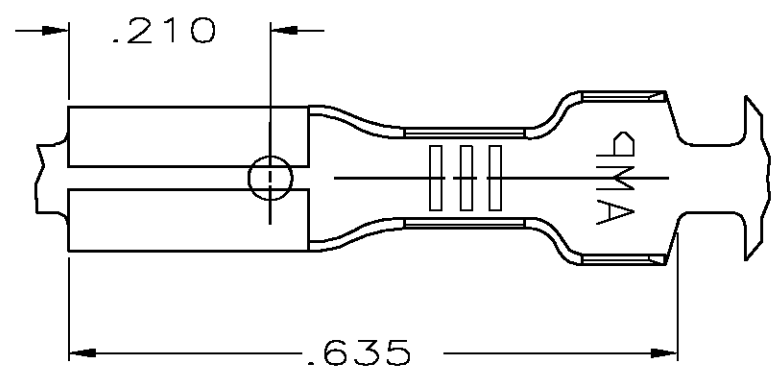


THIS DRAWING IS UNPUBLISHED. RELEASED FOR PUBLICATION
 © COPYRIGHT BY TYCO ELECTRONICS CORPORATION. ALL RIGHTS RESERVED.

LOC	DIST	REVISIONS			
P	LTR	DESCRIPTION	DATE	DWN	APVD
AF	50	F	REV PER 0G3A-0477-03	05AUG03	JR PD

- 1 CONTINUOUS STRIP ON REELS.
- 2 MATING TAB THK IS .020±.001
- 3 WIRE SIZE IS #20-#16 AWG
- 4 INSULATION RANGE IS .120-.140 DIA
- △5 SPECIAL PACKAGING
- △6 PRELIMINARY - NOT FOR PRODUCTION



△5	PRE-TIN	△6	61400-3
	PRE-TIN		61400-1
	FINISH		PART NO

THIS DRAWING IS A CONTROLLED DOCUMENT.		DWN	JR RUTH	2/6/87	Tyco Electronics Corporation Harrisburg, PA 17105			
DIMENSIONS: INCHES		CHK	R KUZO	2/17/87				NAME RECEPTACLE, FASTON, .110 SERIES
		APVD	C MEYERS	2/16/87	SIZE	CAGE CODE	DRAWING NO	
TOLERANCES UNLESS OTHERWISE SPECIFIED:		PRODUCT SPEC			A3 00779 C-61400			
0 PLC ± - 1 PLC ± - 2 PLC ± - 3 PLC ± .015 4 PLC ± - ANGLES ± -		APPLICATION SPEC			SCALE 4:1			SHEET 1 OF 1
MATERIAL #4H BRASS		FINISH SEE TABLE			CUSTOMER DRAWING			REV F